

A Good Unit Study

Pages for Planning and Recording

Dear Reader,

I know what it's like to be a busy mom; heavy on stuff to do, light on time to do it in!

That's why I created these unit study pages for you to have in one place on your computer for any time you might need them!

They are not typical or conventional, just what I have found to actually *work*, especially when you are dealing with a wide range of age and ability.

The first few are notebooking pages which you can insert at any place you feel good about.

Next are some planning pages for Mom.

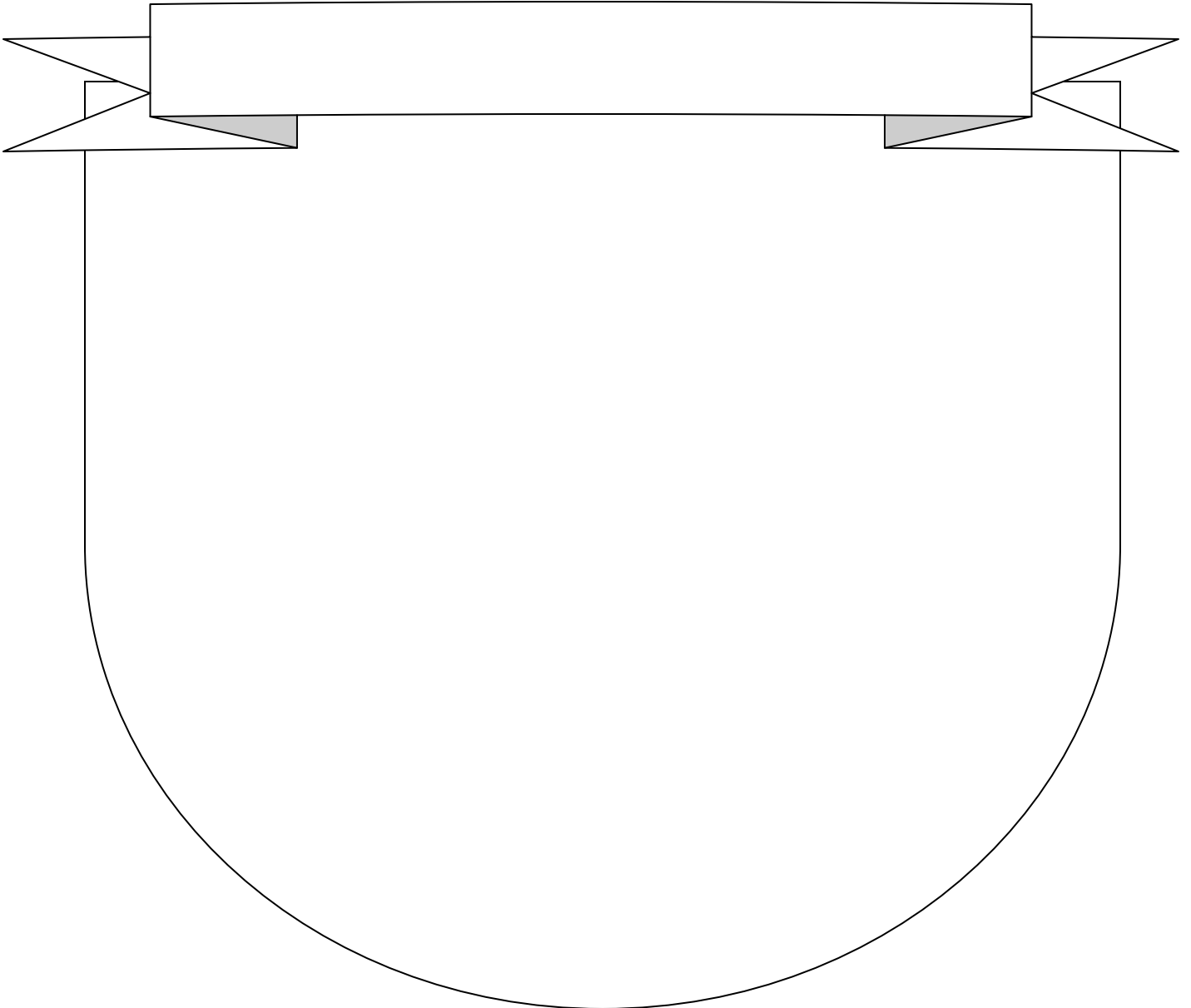
Lastly there are included a few for recording and evaluation, including places for little notes you and your children can write to each other.

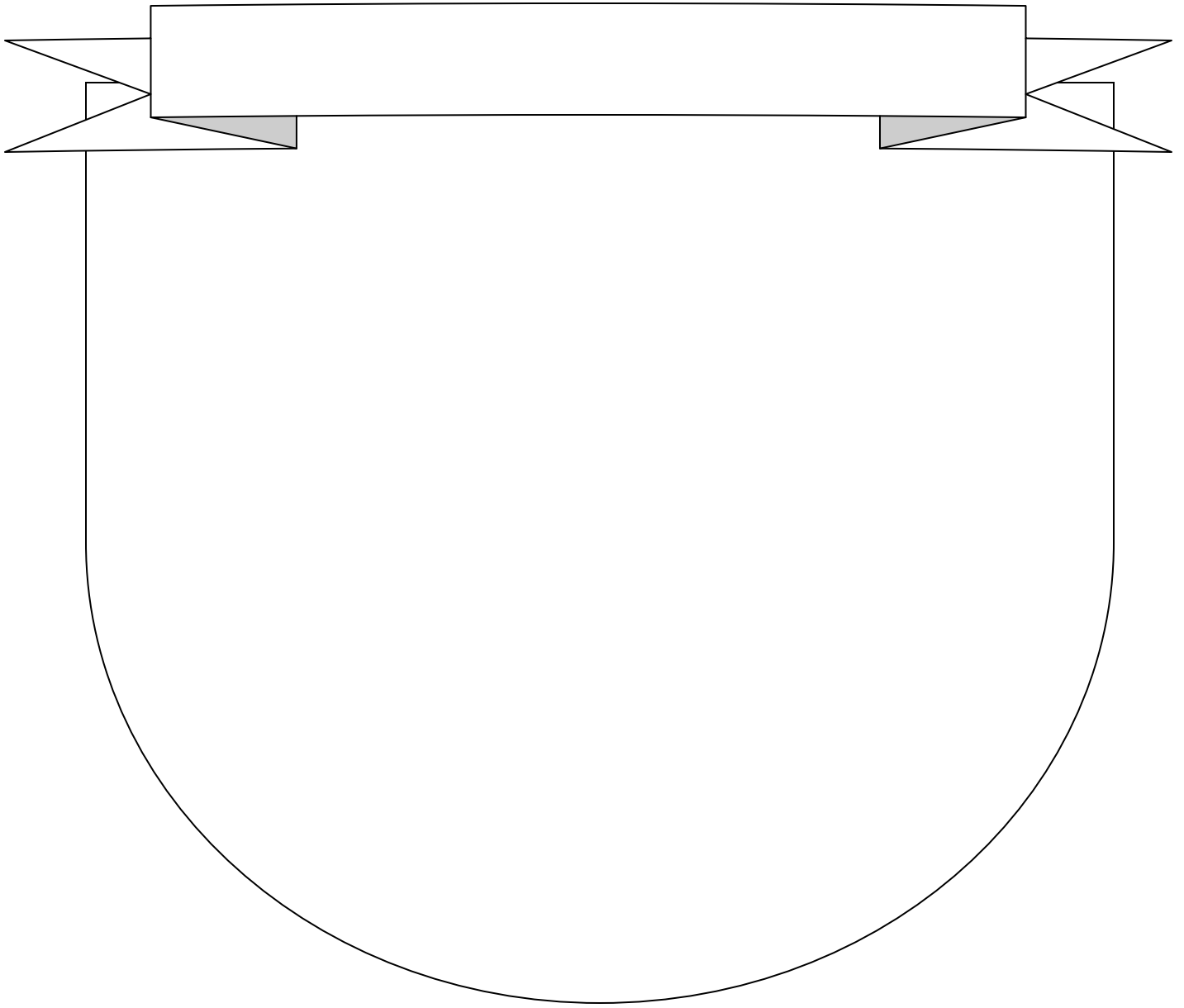
I hope these bless you and make your planning and doing a lot easier!

In Christ's boundless love,

Sherry

P.S. If you haven't already, you can find out more by reading about this subject on my blog, momdelights.com.



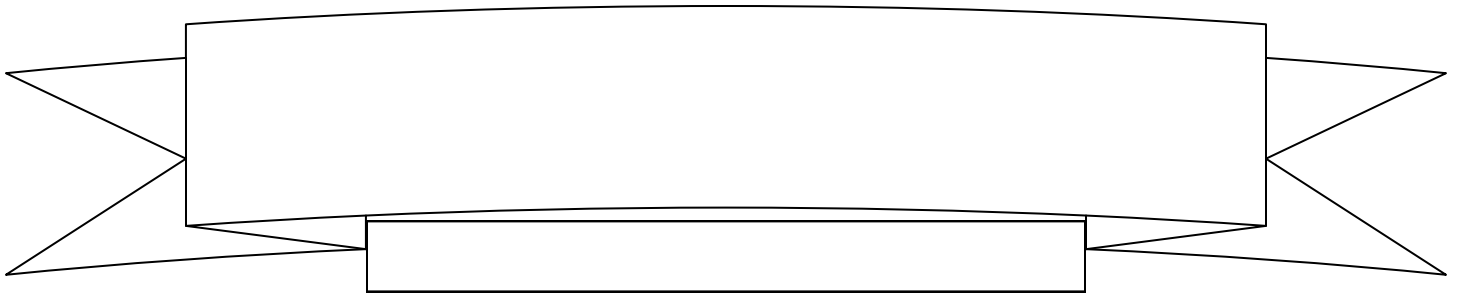


--

--	--

--

--



Our Unit Study Plans

Year(s):

Children:

No.	Dates	“Spine”/Subject	Materials Needed	Activity Ideas

Unit Rubric

Child:

Date:

Score Range:

Skill/Discipline	1	2	3	4	5	6	7	8	9
Listening									
Retelling									
Neatness									
Completeness									
Enthusiasm									
Sharing/discussing									
Effort									
Total:									

Notes:

--	--	--	--

Unit Rubric

Child:

Date:

Score Range:

Skill/Discipline	1	2	3	4	5	6	7	8	9
Listening									
Retelling									
Neatness									
Completeness									
Enthusiasm									
Sharing/discussing									
Effort									
Total:									

Notes:

--	--	--	--

Study Wrap-up

Date:

Our Main Subject:

--

Our Off-shoots:

--

Things we read:	What we learned:

Our Activities:

Final Evaluation:

A Note From the Learner:

Dear Mom,

Here are three things I liked about this unit:

- 1.
- 2.
- 3.

Here is something I did not enjoy very much:

Here are some thoughts and Ideas I have:

Love,

Dear _____,

Here are three things I liked about this Unit:

- 1.
- 2.
- 3.

Here is something I did not enjoy very much:

Here are some thoughts and notes I have for you:

Love,