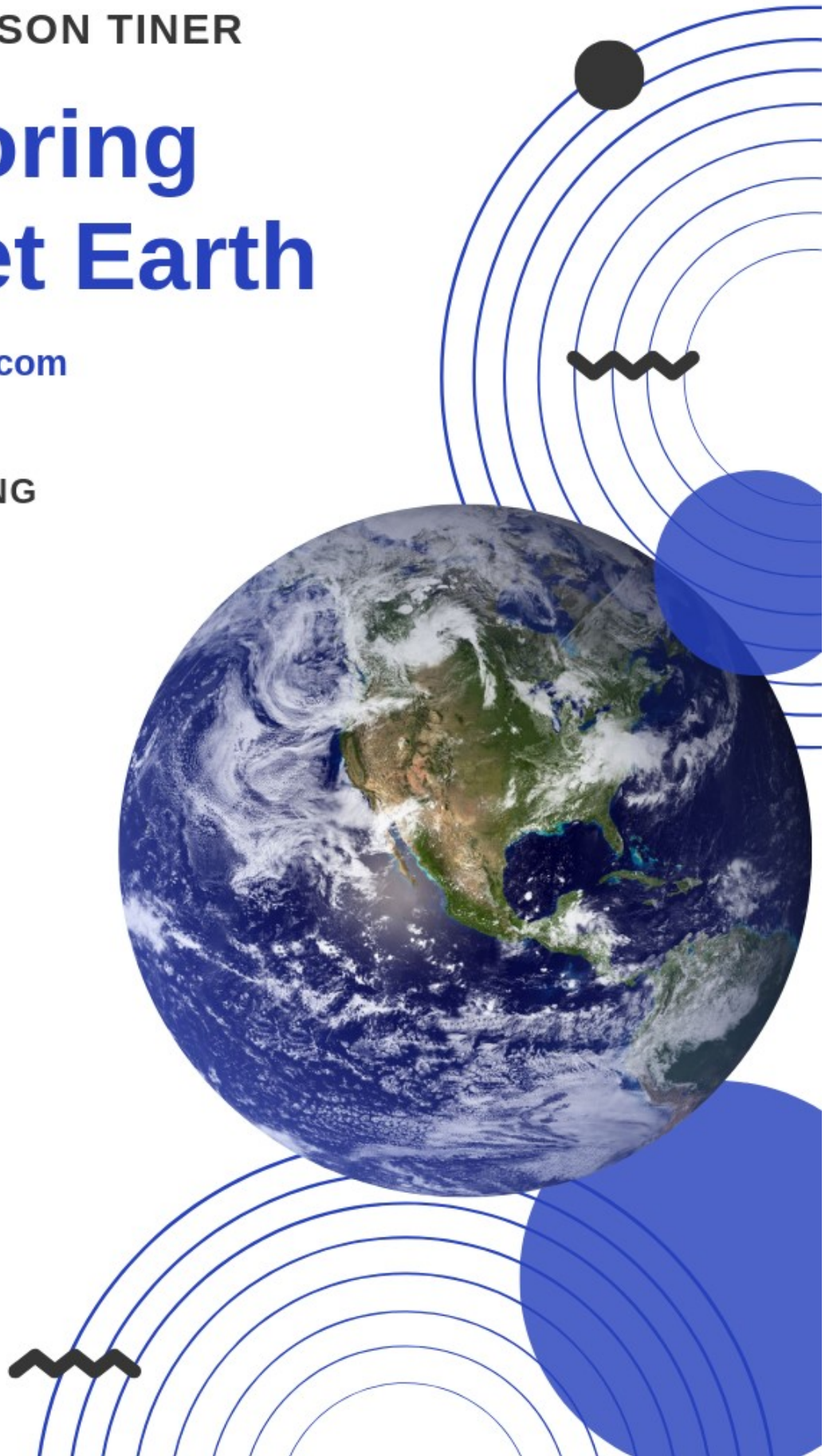


JOHN HUDSON TINER

Exploring Planet Earth

MomDelights.com

FREE
NOTEBOOKING
PAGES



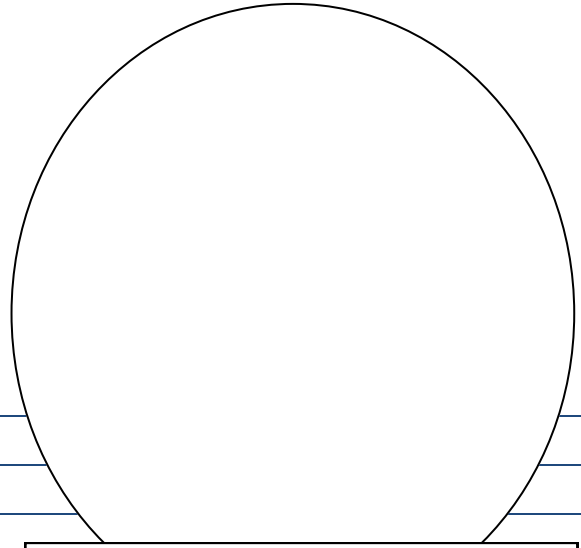
1. How Big is the Earth?

Name

Date

People, Places, or Things

o
o
o
o
o
o
o
o



Synopsis or Main Idea

Map, Chart, or Drawing

Quote

Words

Questions

o
o
o
o
o
o
o
o
o
o

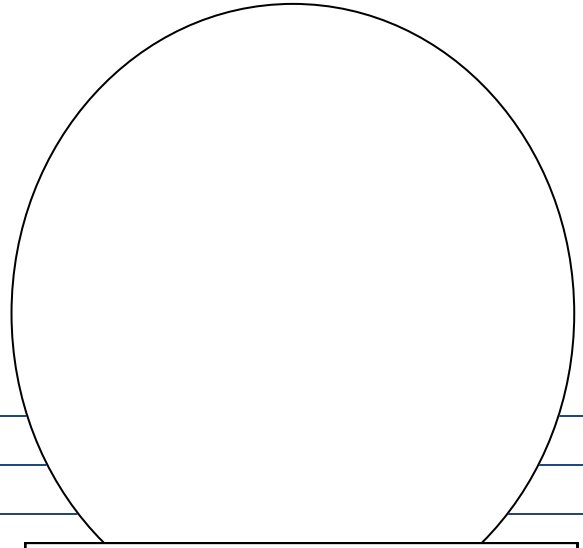
2. Masters of the Mediterranean

Name

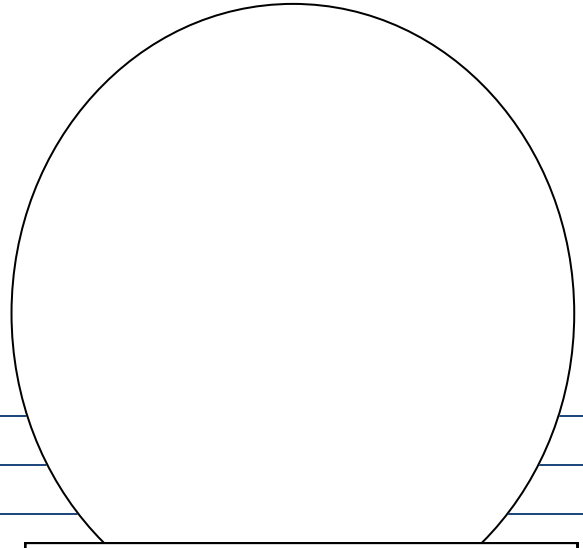

Date

People, Places, or Things

o
o
o
o
o
o
o
o



Synopsis or Main Idea

Map, Chart, or Drawing

--

Quote

Words

o
o
o
o
o
o
o
o

Questions

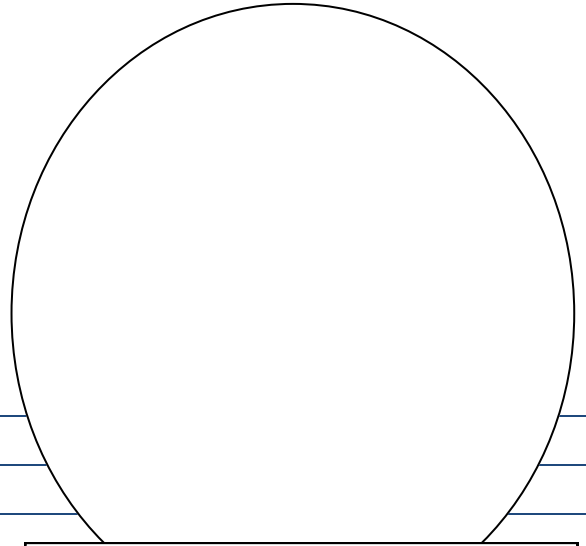
3. Marco Polo's Big Adventure

Name _____

Date _____

People, Places, or Things

o
o
o
o
o
o
o
o



Synopsis or Main Idea

Map, Chart, or Drawing

Quote

Words

o
o
o
o
o
o
o
o
o
o

Questions

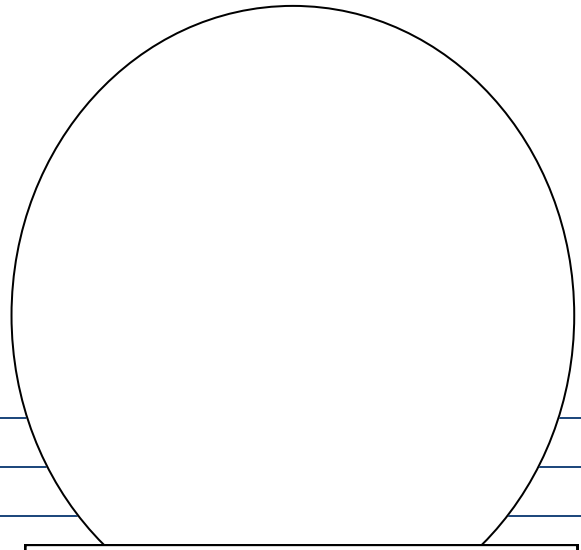
4. The Portuguese Sail East

Name

Date

People, Places, or Things

o
o
o
o
o
o
o
o



--

Synopsis or Main Idea

Map, Chart, or Drawing

--

Quote

Words

Questions

o
o
o
o
o
o
o
o
o
o

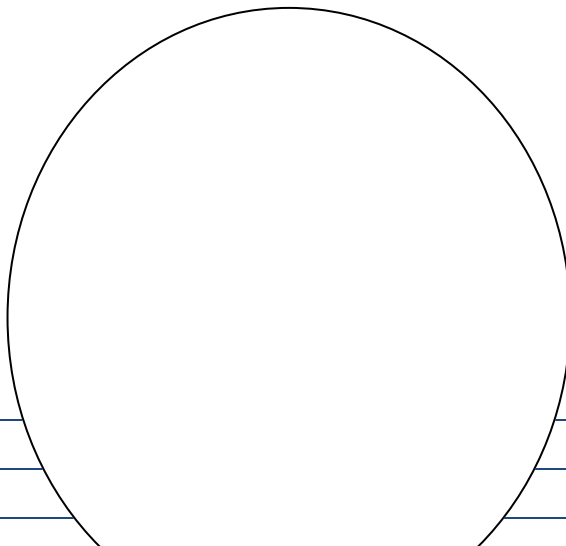
5. The Spaniards Sail West

Name _____

Date _____

People, Places, or Things

o
o
o
o
o
o
o
o



Synopsis or Main Idea

Map, Chart, or Drawing

Quote

Words

Questions

o
o
o
o
o
o
o
o
o

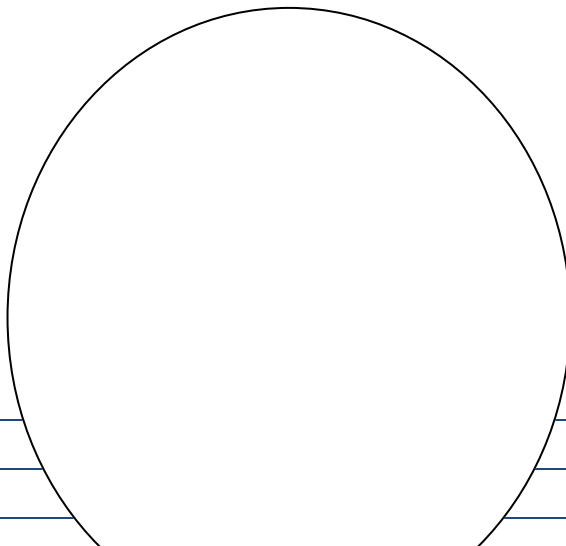
6. Sailing Around the World

Name _____

Date _____

People, Places, or Things

o
o
o
o
o
o
o
o



Synopsis or Main Idea

--

Map, Chart, or Drawing

--

Quote

Words

Questions

o
o
o
o
o
o
o
o
o

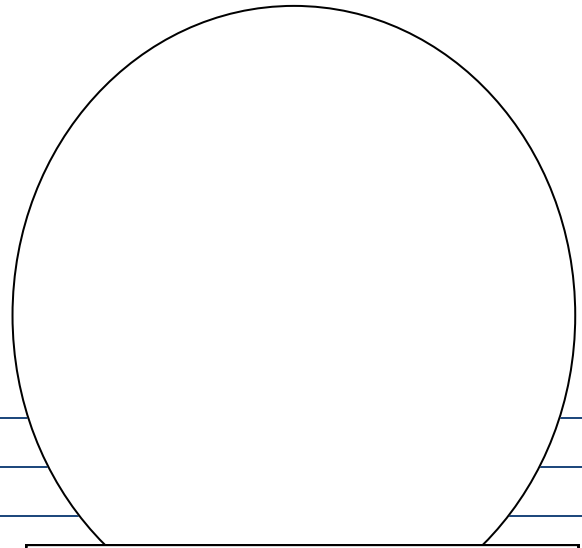
7. The Ten Thousand Names of the Wind

Name _____

Date _____

People, Places, or Things

o
o
o
o
o
o
o
o



Synopsis or Main Idea

Map, Chart, or Drawing

Quote

Words

Questions

o
o
o
o
o
o
o
o
o
o

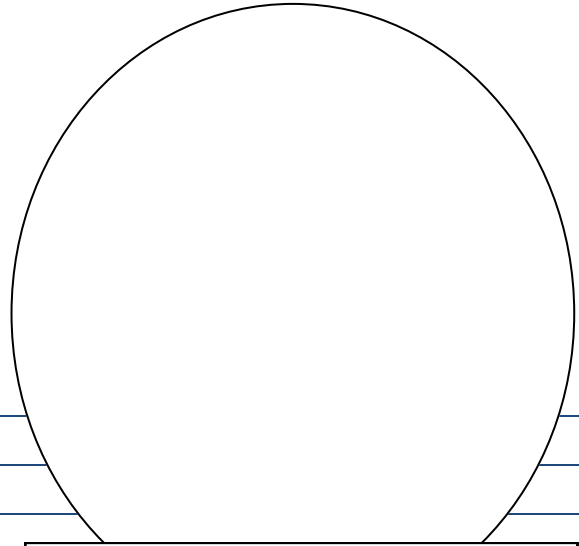
8. The Mystery of Tides

Name

Date

People, Places, or Things

o
o
o
o
o
o
o
o



Synopsis or Main Idea

Map, Chart, or Drawing

Quote

Words

o
o
o
o
o
o
o
o
o

Questions

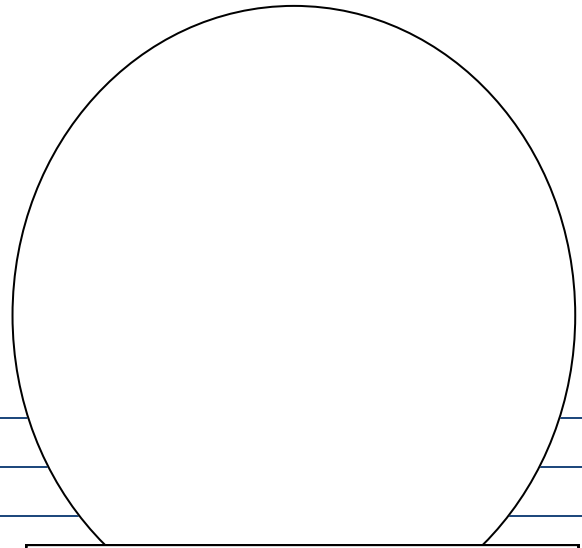
9. The Compass Points the Way

Name _____

Date _____

People, Places, or Things

o
o
o
o
o
o
o
o



Synopsis or Main Idea

Map, Chart, or Drawing

Quote

Words

Questions

o
o
o
o
o
o
o
o
o

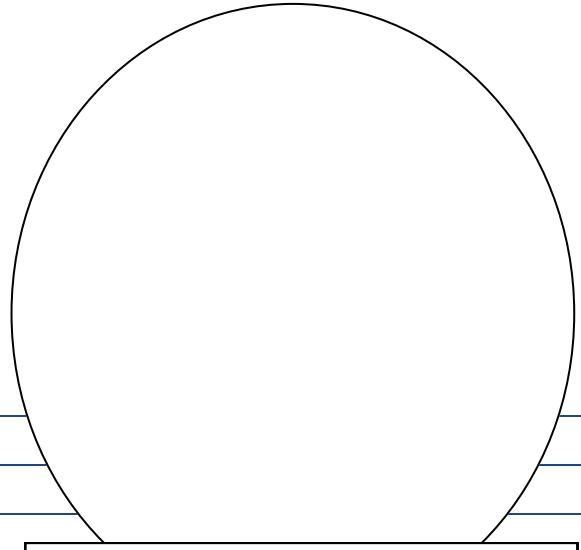
10. The Compass Points the Way

Name _____

Date _____

People, Places, or Things

o
o
o
o
o
o
o
o



Synopsis or Main Idea

Map, Chart, or Drawing

Quote

Words

Questions

	o	
	o	
	o	
	o	
	o	
	o	
	o	
	o	
	o	

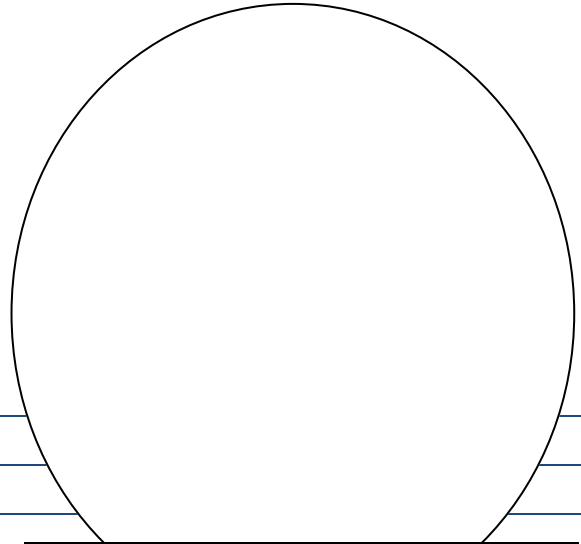
11. Time and Longitude

Name

Date

People, Places, or Things

o
o
o
o
o
o
o
o



Synopsis or Main Idea

Map, Chart, or Drawing

Quote

Words

Questions

o
o
o
o
o
o
o
o
o
o

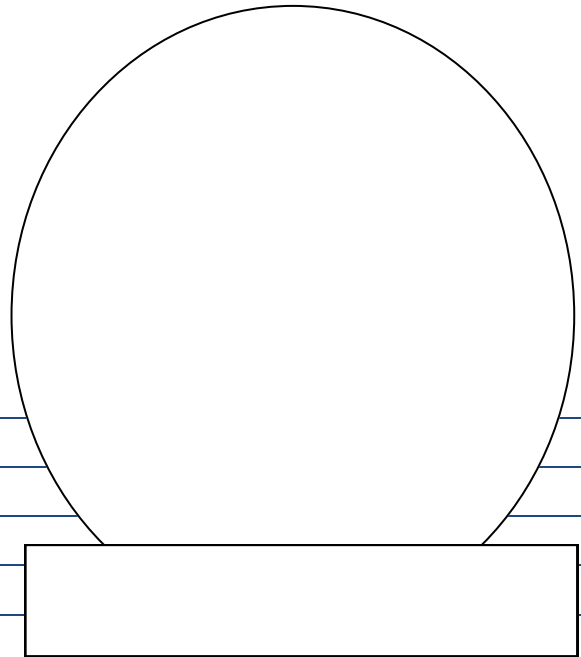
14. Into the Heart of the Glacier

Name _____

Date _____

People, Places, or Things

o
o
o
o
o
o
o
o



Synopsis or Main Idea

Map, Chart, or Drawing

Quote

Words

Questions

o
o
o
o
o
o
o
o
o
o

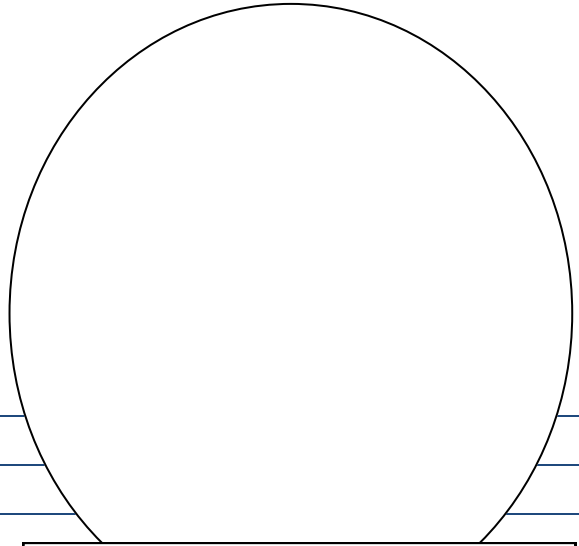
15. Rivers—Earth's Lifeline

Name

Date

People, Places, or Things

o
o
o
o
o
o
o
o



Synopsis or Main Idea

Map, Chart, or Drawing

Quote

Words

Questions

	o	
	o	
	o	
	o	
	o	
	o	
	o	
	o	
	o	

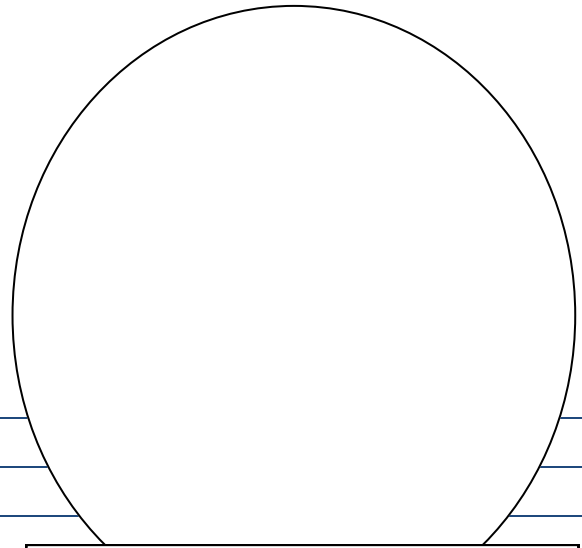
16. Rivers—Earth's Lifeline

Name _____

Date _____

People, Places, or Things

o
o
o
o
o
o
o
o



Synopsis or Main Idea

Map, Chart, or Drawing

Quote

Words

Questions

o
o
o
o
o
o
o
o
o
o

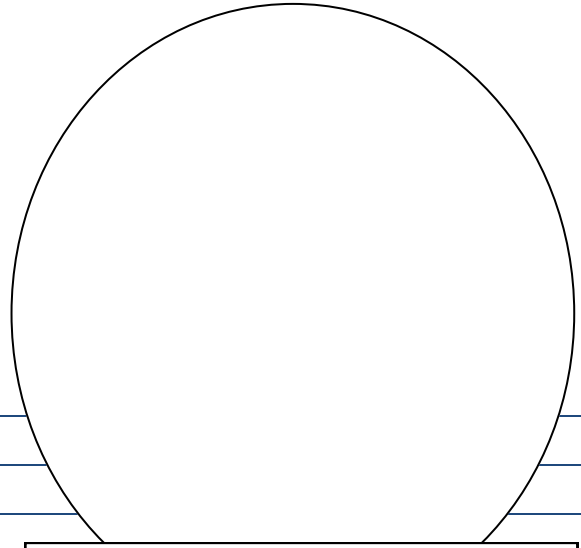
17. The Mysterious Valley

Name _____

Date _____

People, Places, or Things

o
o
o
o
o
o
o
o



Synopsis or Main Idea

Map, Chart, or Drawing

Quote

Words

Questions

o
o
o
o
o
o
o
o
o
o

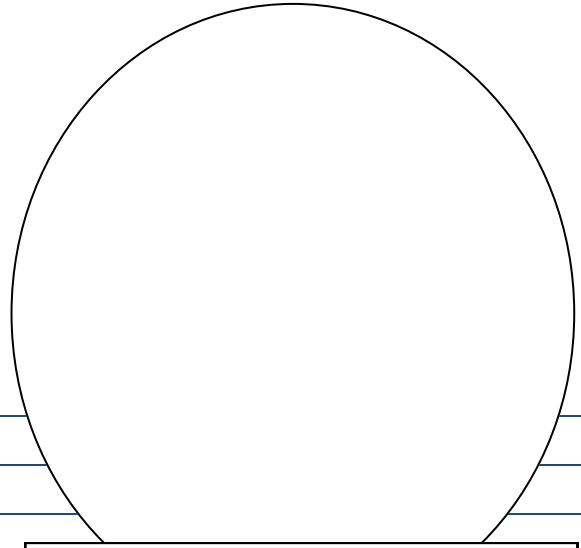
18. The Atmosphere

Name

Date

People, Places, or Things

o
o
o
o
o
o
o
o



Synopsis or Main Idea



Map, Chart, or Drawing

Quote

Words

Questions

o
o
o
o
o
o
o
o
o
o
o

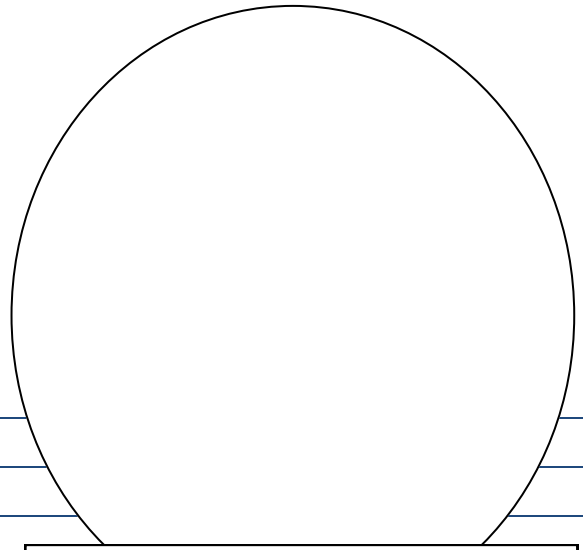
19. Exploring by Balloon

Name _____

Date _____

People, Places, or Things

-
-
-
-
-
-
-
-



Synopsis or Main Idea

Map, Chart, or Drawing

--

Quote

Words

Questions

o
o
o
o
o
o
o
o
o
o
o

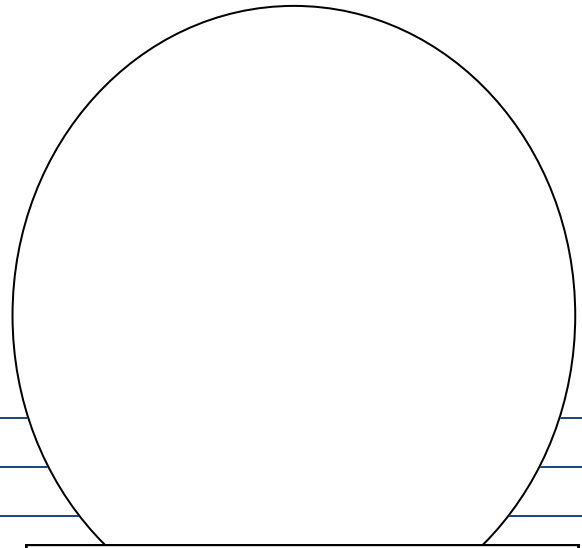
20. The Age of Flight

Name _____

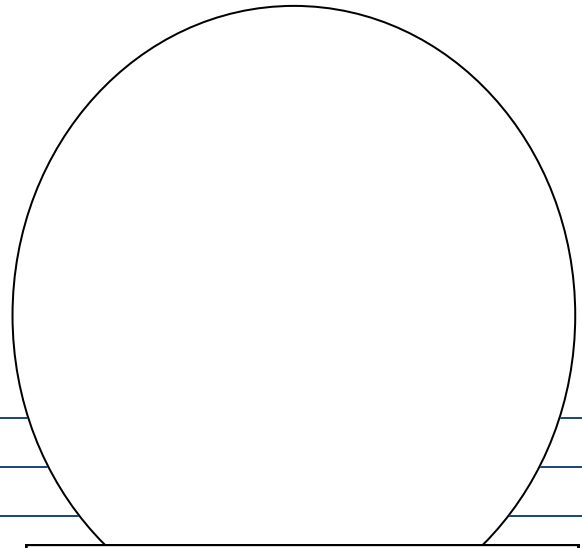
Date _____

People, Places, or Things

o
o
o
o
o
o
o
o



Synopsis or Main Idea

Map, Chart, or Drawing

--

Quote

Words

o
o
o
o
o
o
o
o
o
o

Questions

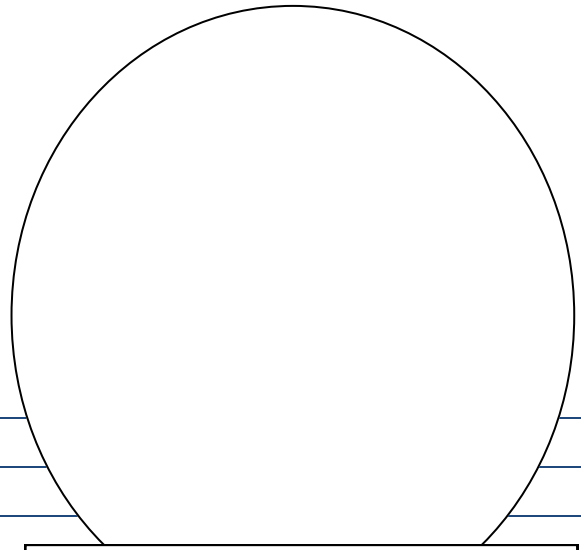
21. To the Edge of the Atmosphere—and Beyond

Name _____

Date _____

People, Places, or Things

o
o
o
o
o
o
o
o



Synopsis or Main Idea

Map, Chart, or Drawing

Quote

Words

Questions

o
o
o
o
o
o
o
o
o
o

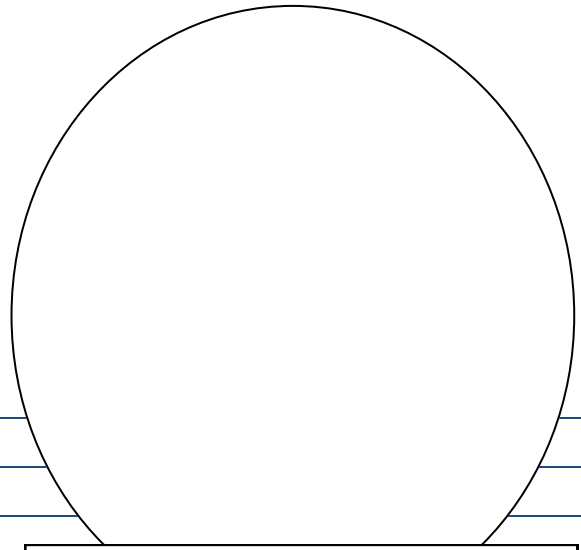
22. Exporation in Today's World

Name _____

Date _____

People, Places, or Things

o
o
o
o
o
o
o
o



Synopsis or Main Idea

Map, Chart, or Drawing

Quote

Words

Questions

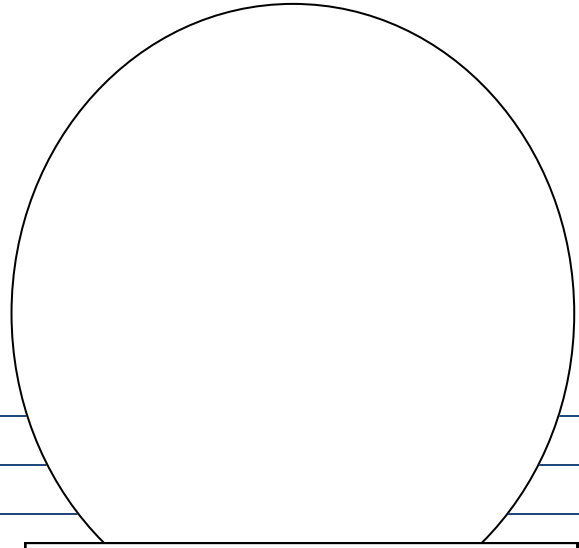
o
o
o
o
o
o
o
o
o
o

Name

Date

People, Places, or Things

o
o
o
o
o
o
o
o



Synopsis or Main Idea

--

Map, Chart, or Drawing

--

Quote

Words

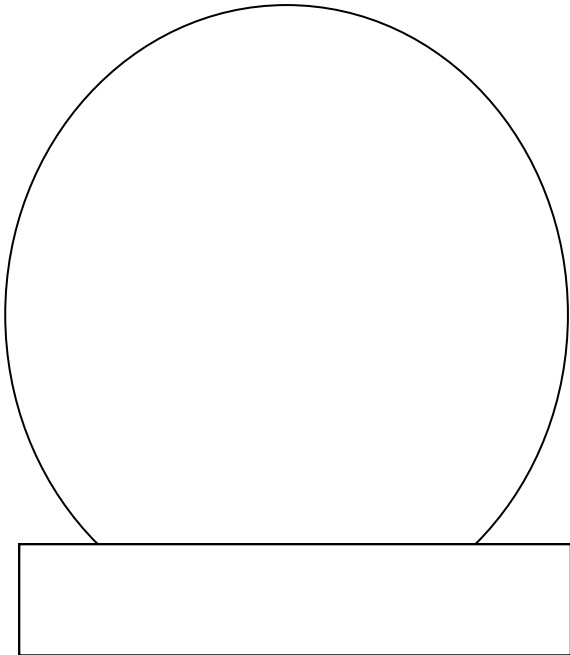
Questions

o
o
o
o
o
o
o
o
o
o

1. How Big is the Earth?

Name

Date



Words or Names

o
o
o
o
o
o
o

Write or copy something Interesting from the chapter

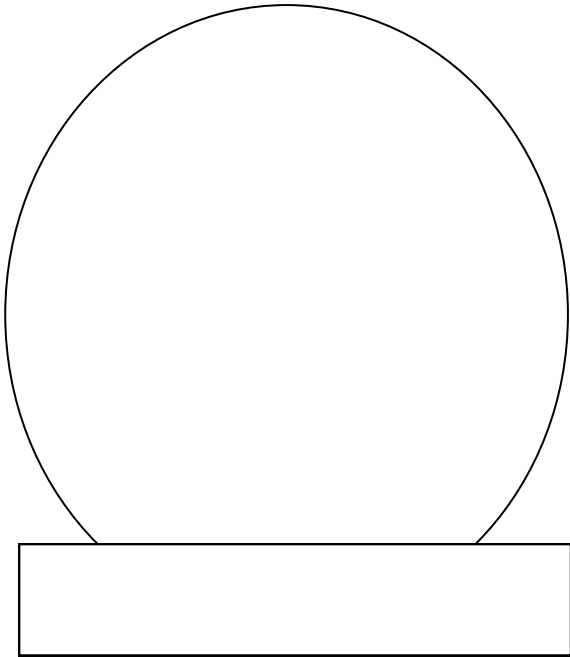
Answers to questions

Write or copy something Interesting from the chapter	Answers to questions

2. Masters of the Mediterranean

Name

Date



Words or Names

o
o
o
o
o
o
o

Write or copy something interesting from the chapter

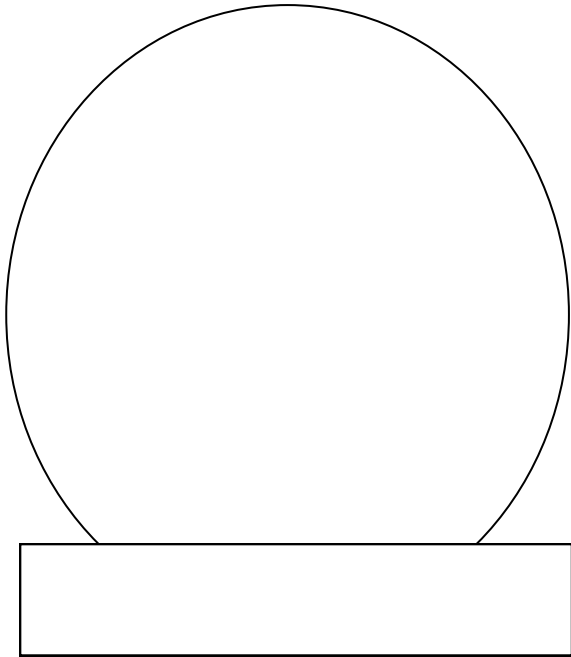
Answers to questions

Write or copy something interesting from the chapter	Answers to questions

3. Marco Polo's Big Adventure

Name

Date



Words or Names

o
o
o
o
o
o
o

Write or copy something interesting from the chapter

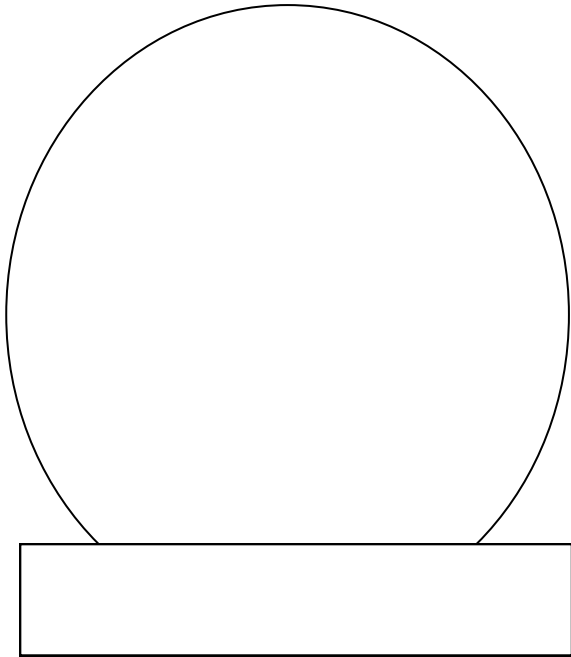
Answers to questions

Write or copy something interesting from the chapter	Answers to questions

4. The Portuguese Sail East

Name

Date



Words or Names

o
o
o
o
o
o
o

Write or copy something interesting from the chapter

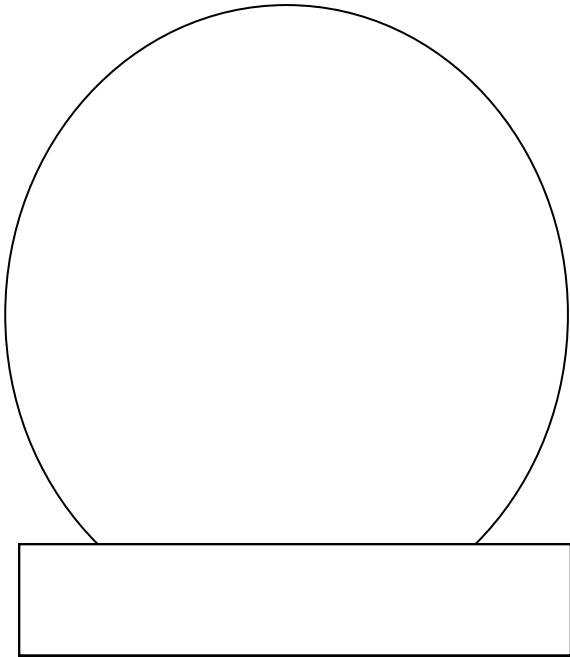
Answers to questions

Write or copy something interesting from the chapter	Answers to questions

5. The Spanish Sail West

Name

Date



Words or Names

o
o
o
o
o
o
o

Write or copy something interesting from the chapter

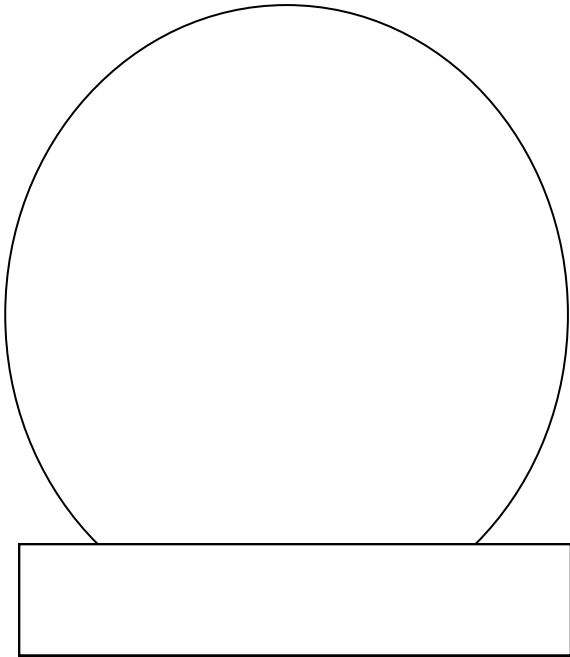
Answers to questions

Write or copy something interesting from the chapter	Answers to questions

6. Sailing Around the World

Name

Date



Words or Names

o
o
o
o
o
o
o

Write or copy something interesting from the chapter

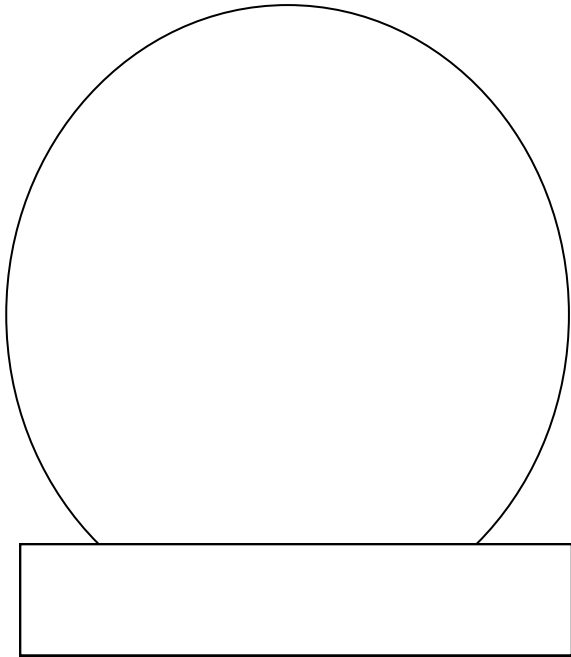
Answers to questions

Write or copy something interesting from the chapter	Answers to questions

7. The Ten Thousand Names of Wind

Name

Date



Words or Names

o
o
o
o
o
o
o

Write or copy something interesting from the chapter

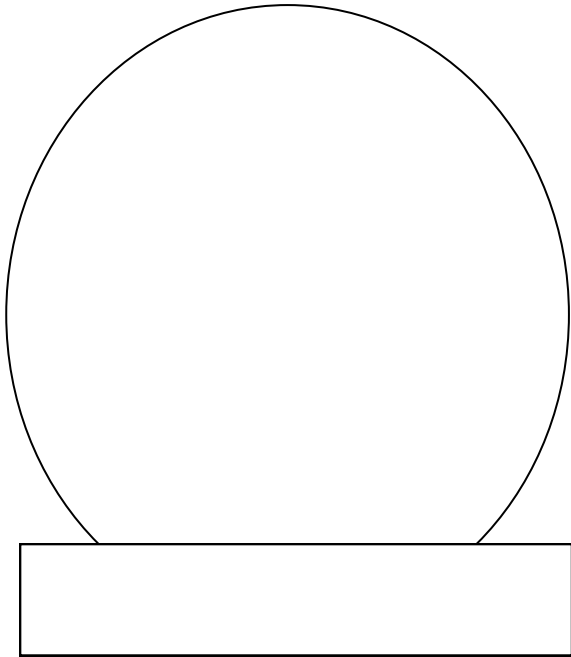
Answers to questions

Write or copy something interesting from the chapter	Answers to questions

8. The Mystery of Tides

Name

Date



Words or Names

o
o
o
o
o
o
o

Write or copy something interesting from the chapter

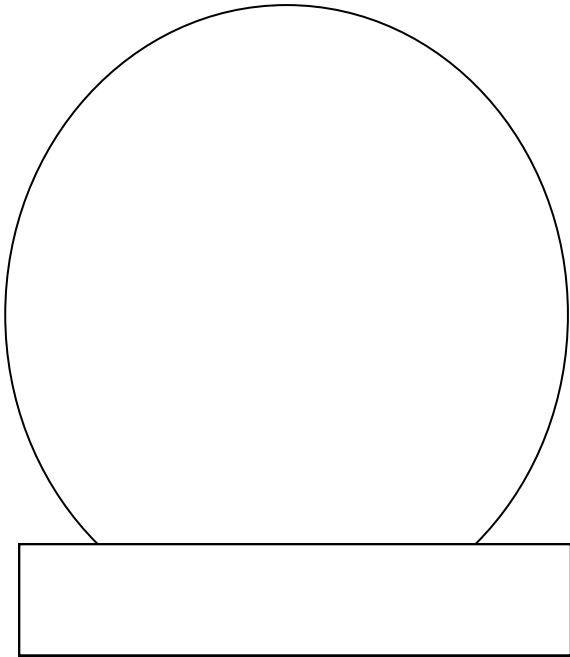
Answers to questions

Write or copy something interesting from the chapter	Answers to questions

9. The Compass Points the Way

Name

Date



Words or Names

o
o
o
o
o
o
o

Write or copy something interesting from the chapter

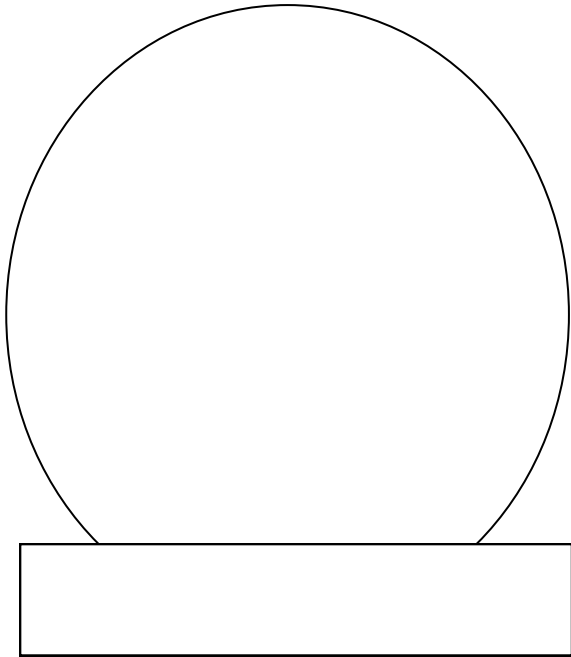
Answers to questions

Write or copy something interesting from the chapter	Answers to questions

10. Time and Longitude

Name

Date



Words or Names

o
o
o
o
o
o
o

Write or copy something Interesting from the chapter

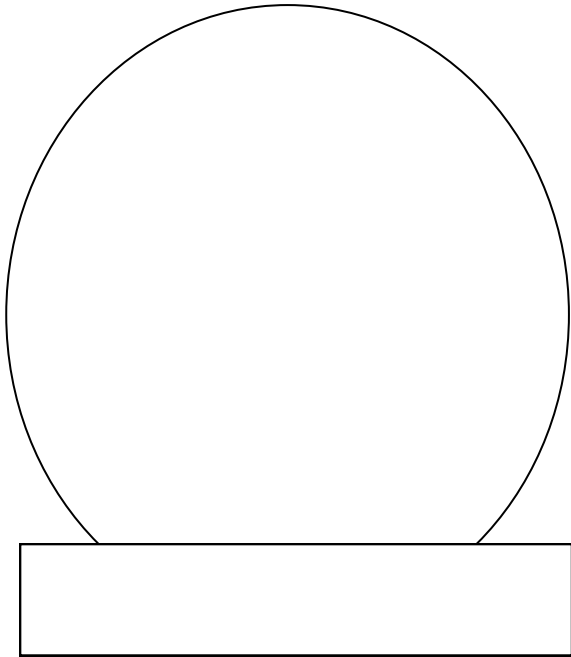
Answers to questions

Write or copy something Interesting from the chapter	Answers to questions

11. A River in the Ocean

Name

Date



Words or Names

o
o
o
o
o
o
o

Write or copy something interesting from the chapter

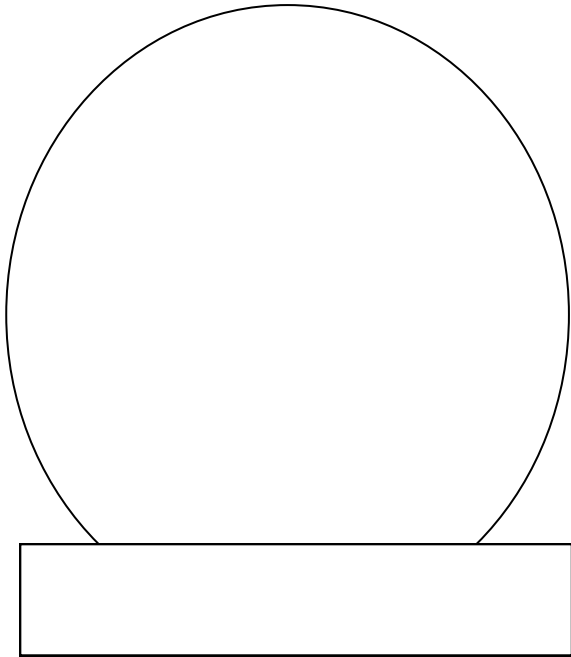
Answers to questions

Write or copy something interesting from the chapter	Answers to questions

12. Three Spheres

Name

Date



Words or Names

o
o
o
o
o
o
o

Write or copy something interesting from the chapter

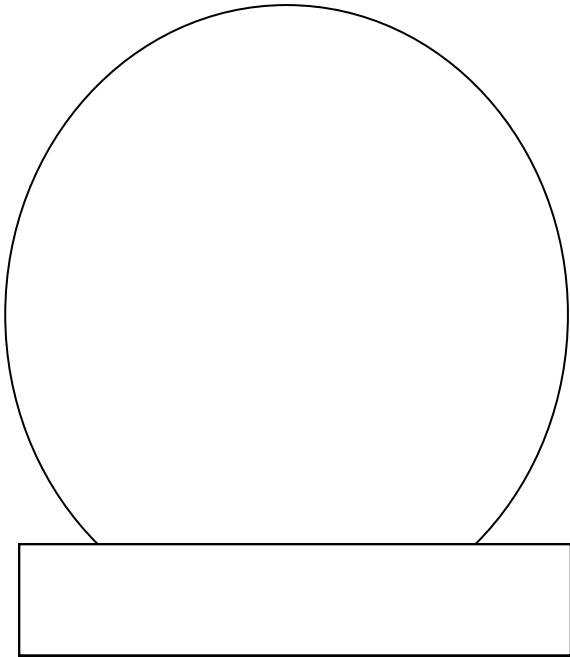
Answers to questions

Write or copy something interesting from the chapter	Answers to questions

13. Into the Heart of the Glacier

Name

Date



Words or Names

o
o
o
o
o
o
o

Write or copy something interesting from the chapter

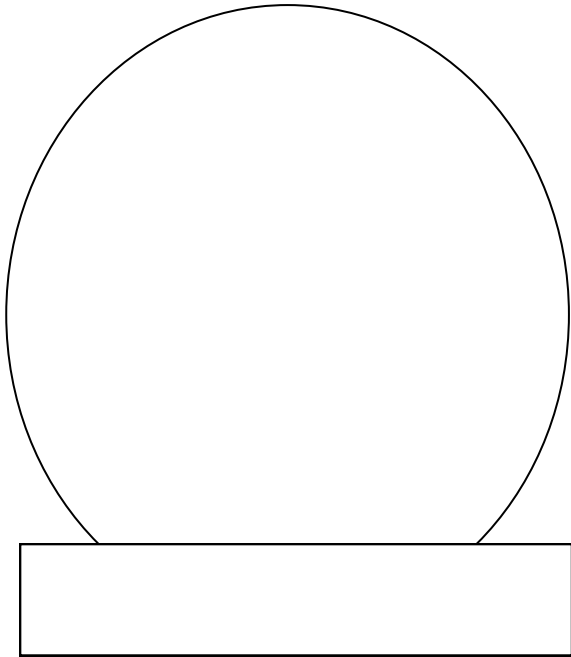
Answers to questions

Write or copy something interesting from the chapter	Answers to questions

14. Rivers—Earth's Lifeline

Name

Date



Words or Names

o
o
o
o
o
o
o

Write or copy something interesting from the chapter

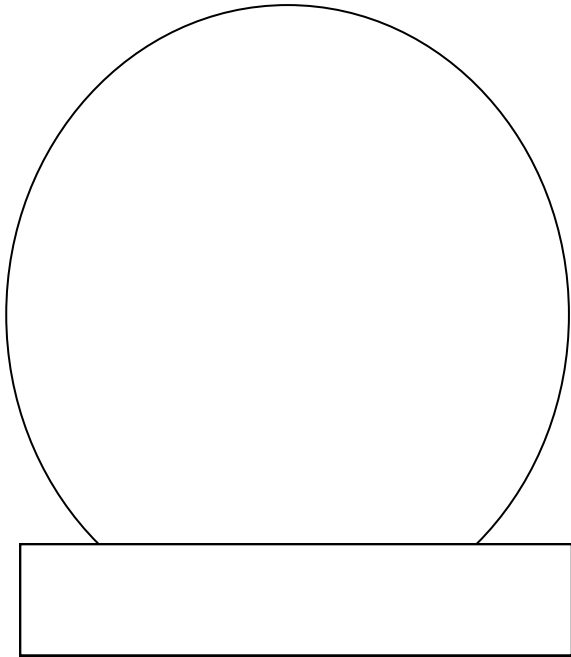
Answers to questions

Write or copy something interesting from the chapter	Answers to questions

15. The Mysterious Valley

Name

Date



Words or Names

o
o
o
o
o
o
o

Write or copy something interesting from the chapter

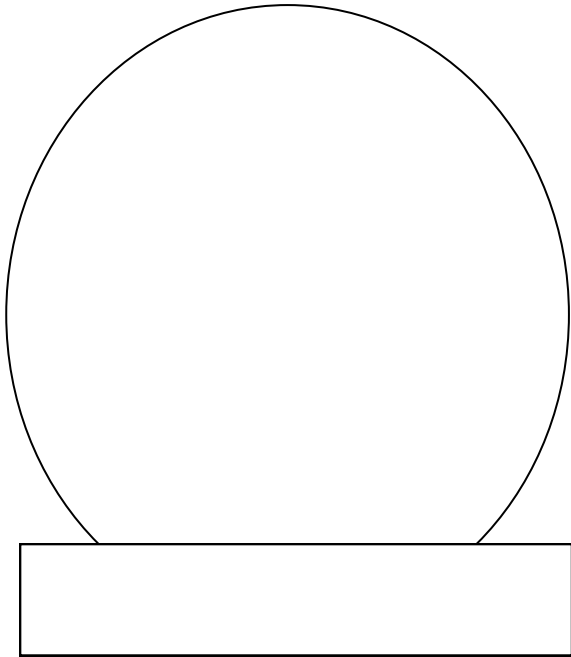
Answers to questions

Write or copy something interesting from the chapter	Answers to questions

16. The Atmosphere

Name

Date



Words or Names

o
o
o
o
o
o
o

Write or copy something interesting from the chapter

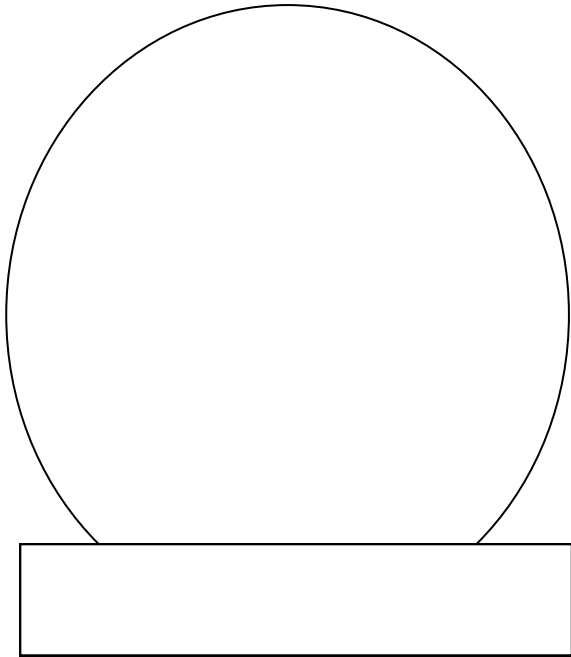
Answers to questions

Write or copy something interesting from the chapter	Answers to questions

17. Exploring by Balloon

Name

Date



Words or Names

o
o
o
o
o
o
o

Write or copy something interesting from the chapter

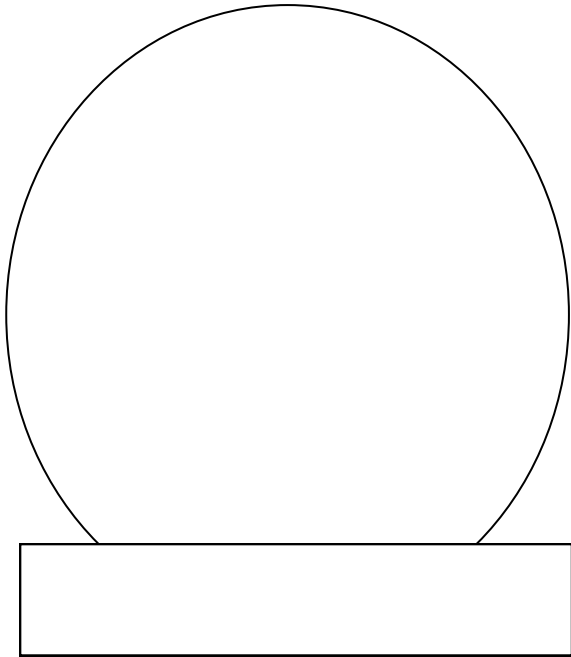
Answers to questions

Write or copy something interesting from the chapter	Answers to questions

18. The Age of Flight

Name

Date



Words or Names

o
o
o
o
o
o
o

Write or copy something interesting from the chapter

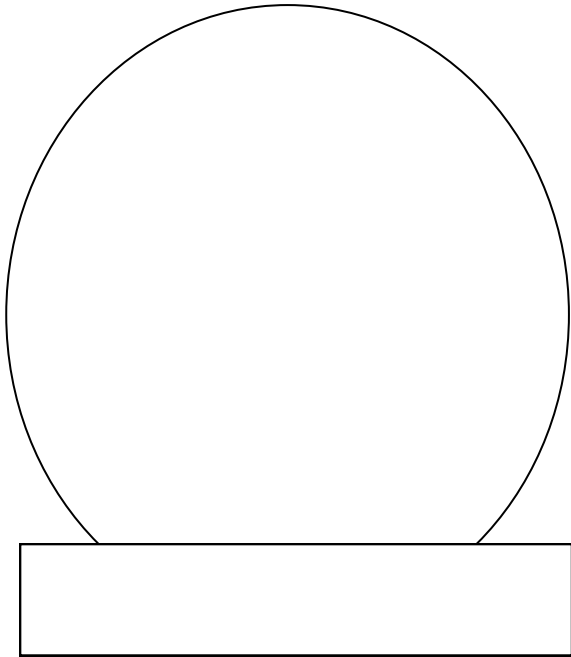
Answers to questions

Write or copy something interesting from the chapter	Answers to questions

19. To the Edge of the Atmosphere—and Beyond

Name _____

Date _____



Words or Names

o
o
o
o
o
o
o

Write or copy something interesting from the chapter

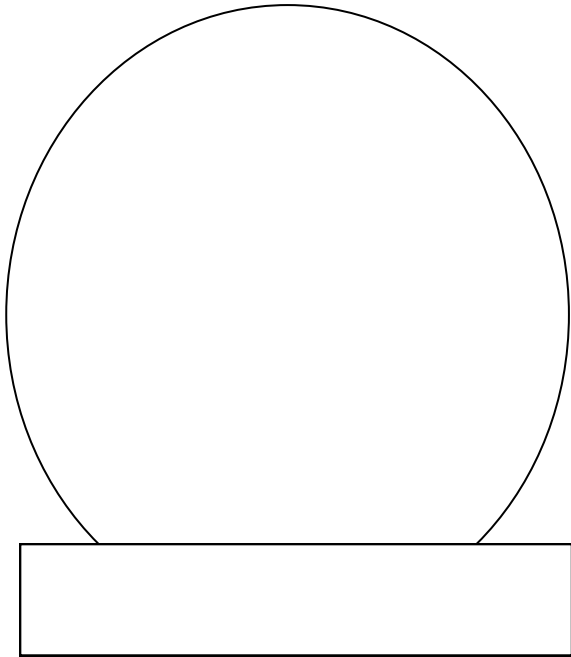
Answers to questions

Write or copy something interesting from the chapter	Answers to questions

19. Exploration in Today's World

Name

Date



Words or Names

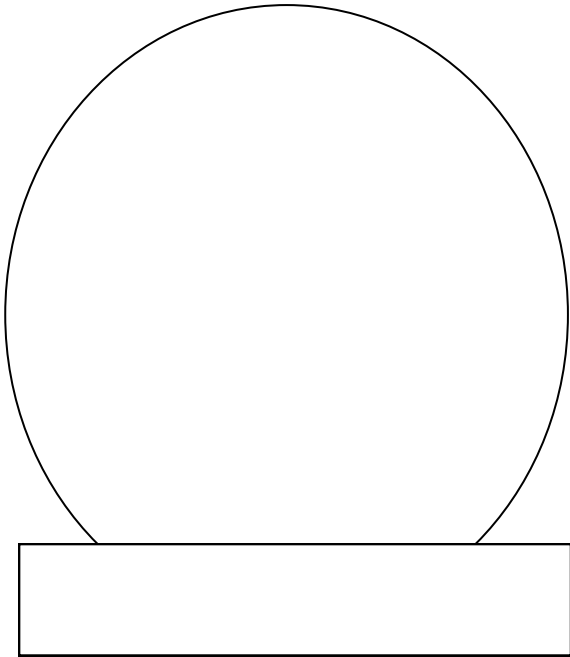
o
o
o
o
o
o
o

Write or copy something interesting from the chapter

Answers to questions

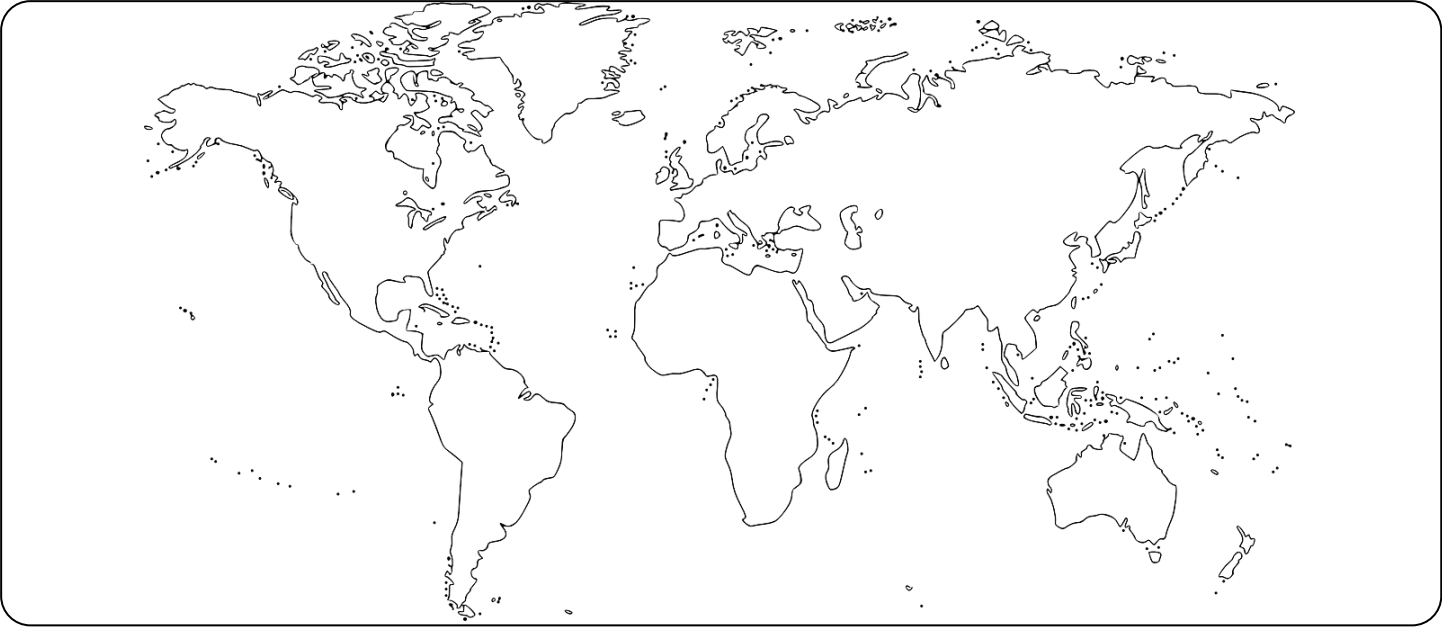
Write or copy something interesting from the chapter	Answers to questions

Name	Date
------	------



Words or Names

o	
o	
o	
o	
o	
o	
o	



Write or copy something interesting from the chapter

Answers to questions

Narration or Essay

Name	Date
------	------

Map Work

Name

Date

